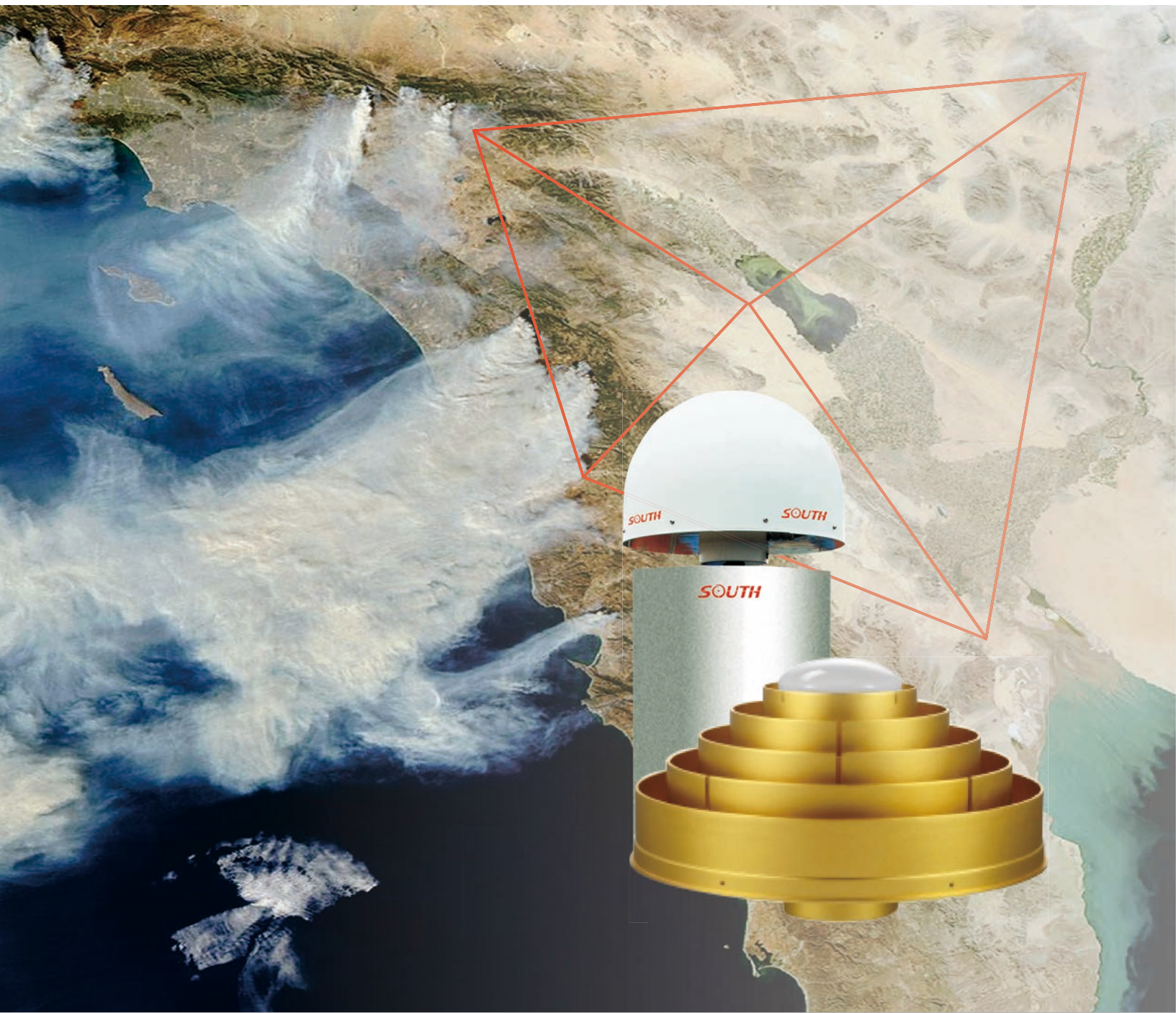


3D Choke Ring Antenna HX-CGX601A



- The South HX-CGX601A UHG provides a stable phase center offsets at sub-millimeter level to guarantee your reference station an excellent tracking performance.
- 3D choke rings design inside the antenna helps achieve an outstanding multipath rejection performance.
- High-gain design for low elevation tracking enhances signal availability for more satellites.
- Ultralow line loss on signal transmissions, enables connecting cable extend more than 100 meters carrying undamaged signals.
- Fully sealed core components, waterproof and dustproof design, make it withstand severe conditions for continuous work in the field

3D CHOKE RING ANTENNA

PERFORMANCE

Signal Received

GPS	L1/L2/L5/L-Band
GLONASS	L1/L2/L3
GALILEO	E1/E5a/E5b/E6
BDS	B1/B2/B3
QZSS	L1/L2/L3/E6
IRNSS	L5
SBAS	L1/L5

Nominal Impedance

50Ω

Polarization

RHCP

Axial Ratio

≤2dB

Gain at Zenith (90°)

1164-1300MHz	6.5dBi(maximum)
1520-1615MHz	7dBi(maximum)

LNA Gain

50dB(typical)

Noise Figure

≤2dB

Output/Input VSWR

≤2.0

Operation Voltage

+3.3VDC to +12VDC

Operation Current

60mA(maximum)

Group Delay Ripple

<5ns

MECHANICAL

Dimensions

φ379*312mm

Connector

TNC female

Weight

≤10.5kg

Mounting

BSW5/8"-11 screw, depth≥22mm

ENVIRONMENTAL

Temperature

Operating	-40°C to +85°C
Storage	-55°C to +85°C

Humidity

95% non-condensing

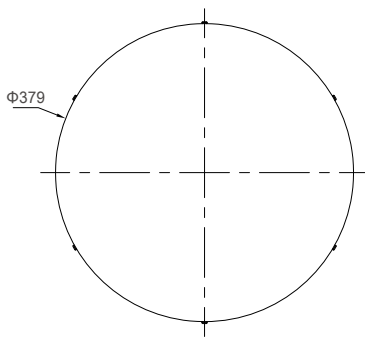
Water/Dust Resistance

IP67

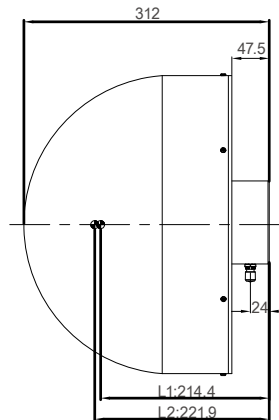
Regulatory Compliance

IGS, NGS, CE, FCC, RoHS

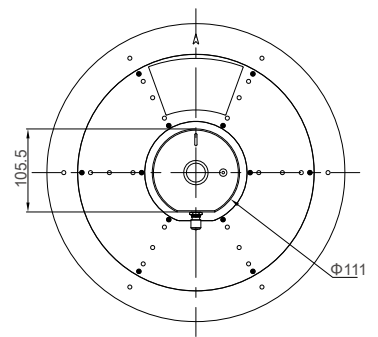
Structure& Phase Center Drawing (mm)



TOP VIEW



SIDE VIEW



BOTTOM VIEW

Undeclared tolerance:±0.3mm

